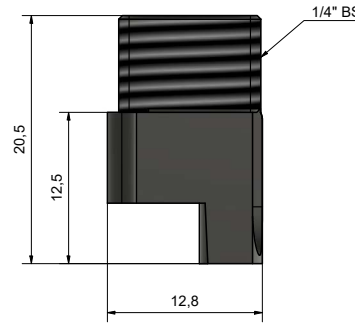
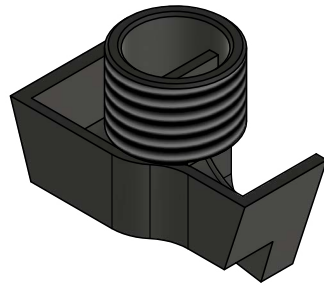


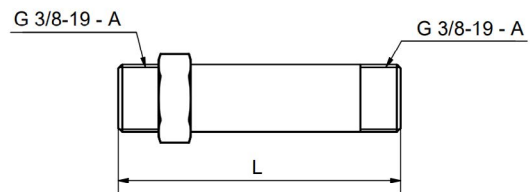
● **VNKPP060103**

**Relief valve return filter**  
To be mounted in cavity Tr



It reduces foam and noise when relief valve is laminating.  
Recommended for all vertical mounting tanks.

● **SUCTION TUBE (GROUPS K0,K1)**



SUCTION TUBE GROUP K1

| Reference   | L (mm) | Reference   | L(mm) |
|-------------|--------|-------------|-------|
| VNKPP060301 | 35     | VNKPP060307 | 175   |
| VNKPP060302 | 70     | VNKPP060308 | 205   |
| VNKPP060303 | 80     | VNKPP060309 | 240   |
| VNKPP060304 | 100    | VNKPP060310 | 315   |
| VNKPP060305 | 130    | VNKPP060311 | 400   |
| VNKPP060306 | 160    |             |       |