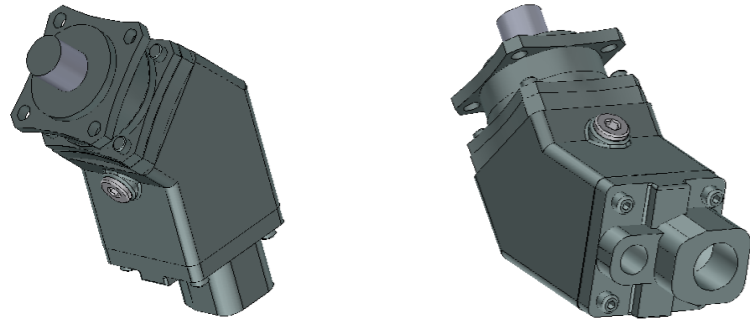
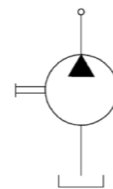


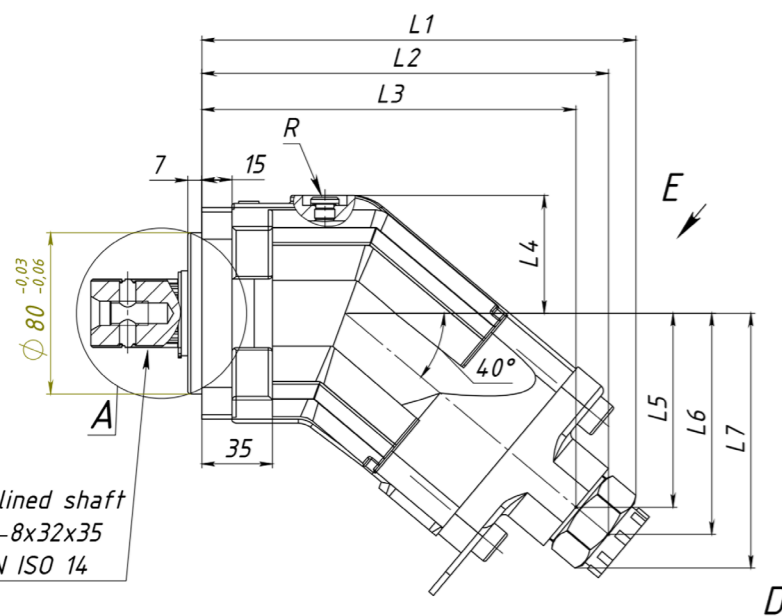
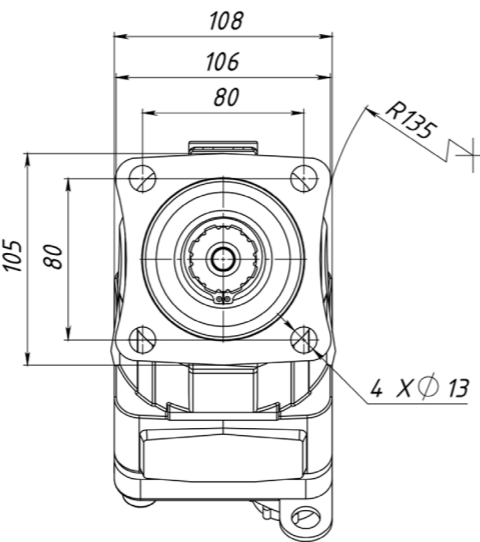
FIXED DISPLACEMENT PISTANT PUMP



HYDRAULIC DIAGRAM

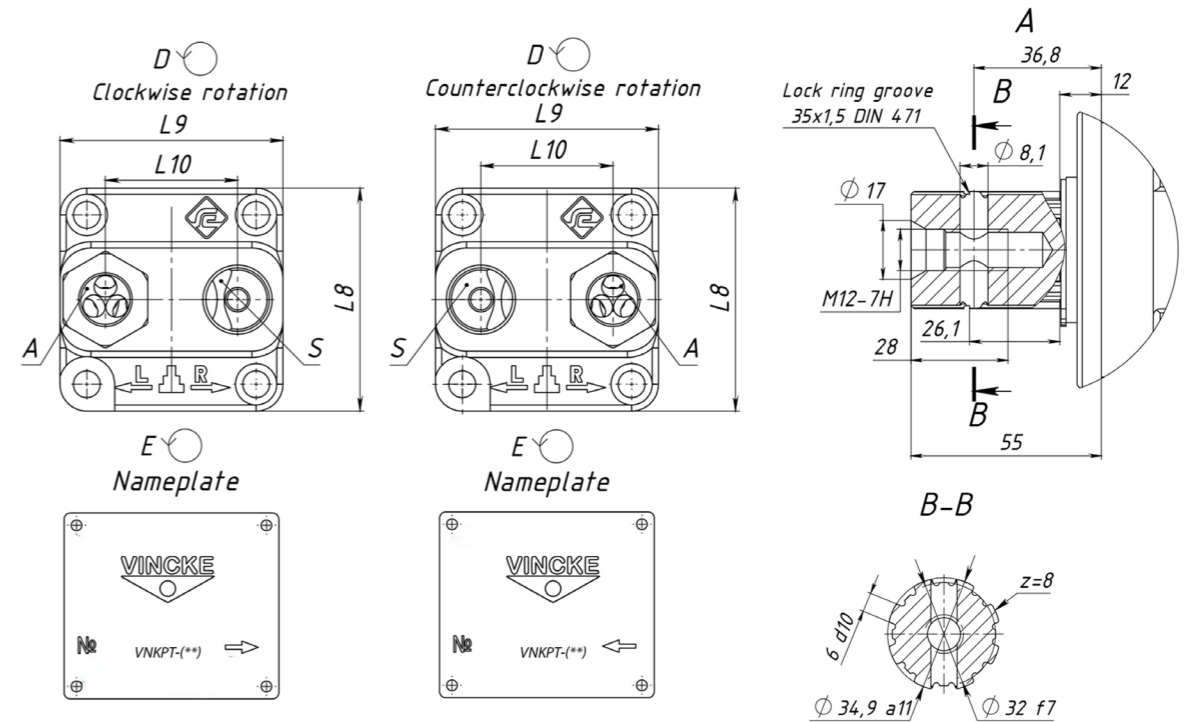


Mounting flange
ISO 7653-1985 for trucks



Splined shaft
E8-8x32x35
DIN ISO 14

Displacement, V_p , cm ³ (**)	L1, mm	L2, mm	L3, mm	L4, mm	L5, mm	L6, mm	L7, mm	L8, mm	S	A	Order code
45	207	192	176	58,5	88	102	119	108	G1	G3/4	VNKPT-45
56	216	202	185	58,5	96	110	127	108	G1	G3/4	VNKPT-56
63											VNKPT-63
80	231	215	197	67,5	105	120	140	117	G1 1/4	G1	VNKPT-80
107	245	228	210	73,5	114	129	149	129			VNKPT-107
125											VNKPT-125



A - Pressure line DIN ISO 228.
S - Suction line DIN ISO 228.
R - Air inlet hole M10x1-8 DIN 3852.
(closed, not used during pump operation).
The material of the casing is cast iron.
There is no drainage line

Size	Designation	56	63	80	107
Axial force, maximum	+Fax max	N	0	0	0
	-Fax max	N	43	53	60

TECHNICAL SPECIFICATIONS						
Size	VNKPT-45	VNKPT-56	VNKPT-63	VNKPT-80	VNKPT-106	VNKPT-125
Displacement, V_p , cm ³	45,6	56,1	63	80,4	106,7	125
Minimum	500					
Rated, at inlet pressure $P_{abs}=0,8$ bar	2100	1870		1830	1700	1600
Maximum, at inlet pressure $P_{abs}=1,0$ bar	2750	2200		2150	2000	1800
Rated	350					300
Maximum	400					350
Rated	95	105	118	147	181	200
Maximum	125	123	139	173	213	225
Rated, at inlet pressure $P_{abs}=0,8$ bar and pressure drop $\Delta p=350$ bar	56	61	69	86	106	117
Volumetric	0,95					
Weight (without fluid), kg	10,8	11		13,9	19,2	19,2